

Modular Belt Washers The Effective Solution

EcoCbelt®

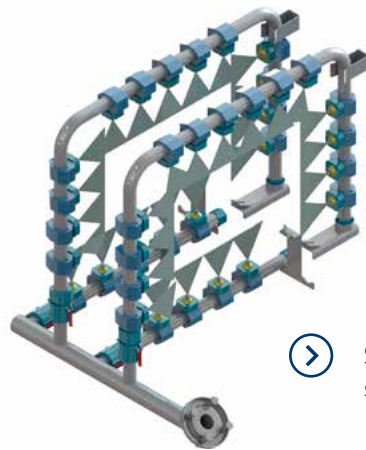


ECCOCLEAN

technology that inspires



Spray system expansion



➤ Standard spray system

EcoCbelt

The process

The EcoCbelt can be tailored to suit the specific cleaning requirements of your particular application, relying on standardized modules. Individual adaptations are possible.

Characteristics

- Compact design ready for connection and small footprint
- Easy to integrate into a production line
- Cleaning process expansion with no impact on cycle time
- Multi-stage washing/rinsing processes with/without hot air drying cycle
- High availability thanks to low maintenance needs

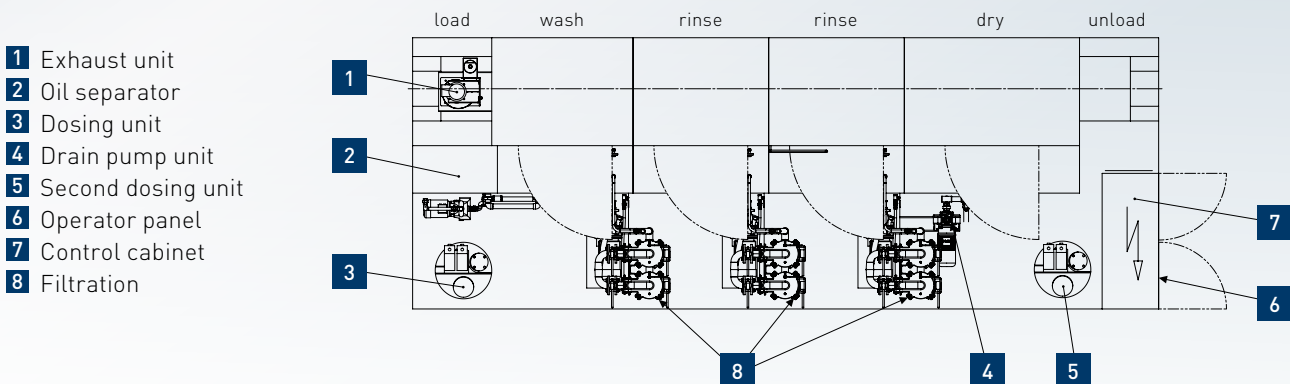
The equipment

- Standard type available in eight different sizes
- Modular design:
Washing – Rinsing 1 – Rinsing 2 – Drying
- Manual loading or automatic interfacing with existing conveyor system
- Continuous or indexing conveyance, optionally with chain conveyor or eyelink belt conveyor
- Enclosed machine with large maintenance openings for easy access
- Controller and operator panel by Siemens

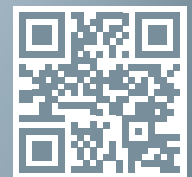
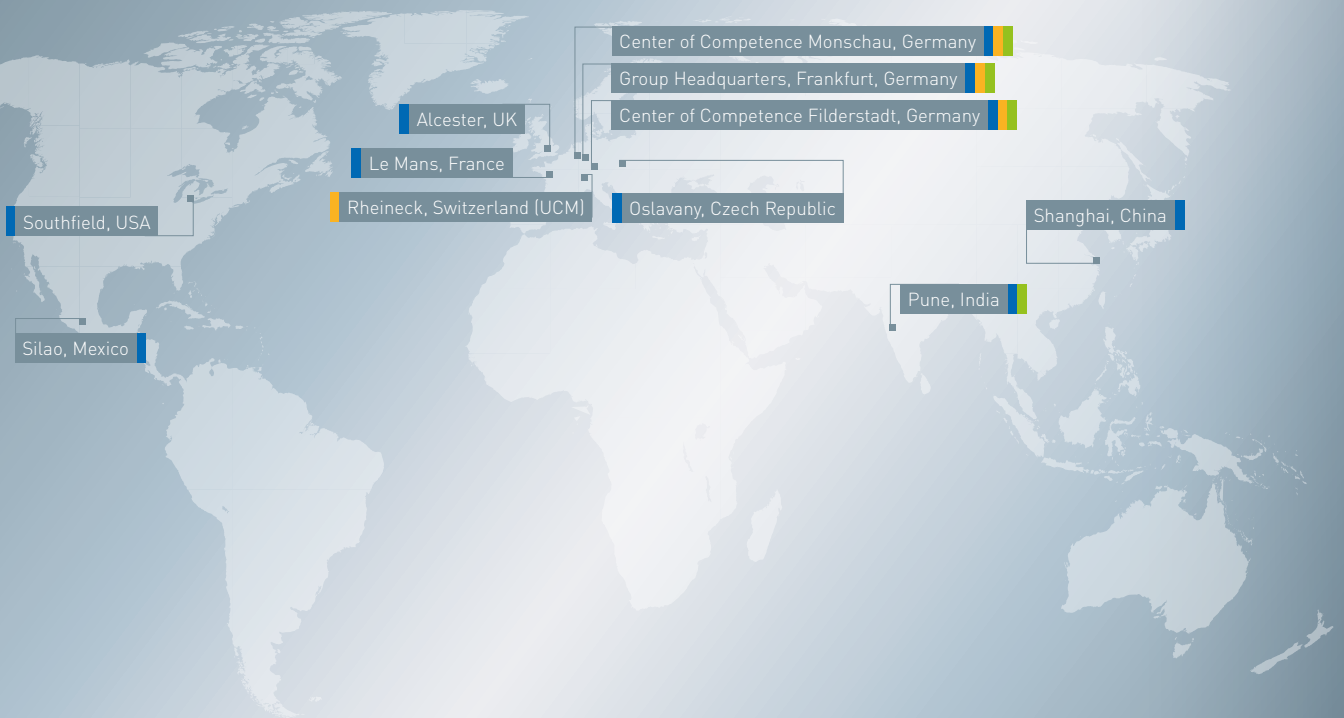
Technical data				
MACHINE SIZE M	centralized	stand-alone WD	stand-alone WRD	stand-alone WRRD
Machine length [mm]	4,200	4,200	5,400	6,600
Machine width [mm]	1,450	2,400	2,400	2,400
Machine height [mm]	2,100–2,900*	2,100–2,900*	2,100–2,900*	2,100–2,900*
Tunnel width [mm]	300	300	300	300
Spray pressure [bar]	2.8/5	2.8/5	2.8/5	2.8/5
Volumetric flow [m³/h]	15	15	15	15
MACHINE SIZE L	centralized	stand-alone WD	stand-alone WRD	stand-alone WRRD
Machine length [mm]	5,700	5,700	7,400	9,100
Machine width [mm]	1,750	2,400	2,400	2,400
Machine height [mm]	2,100–2,900*	2,100–2,900*	2,100–2,900*	2,100–2,900*
Tunnel width [mm]	600	600	600	600
Spray pressure [bar]	2.8/5	2.8/5	2.8/5	2.8/5
Volumetric flow [m³/h]	30	30	30	30
PART DATA	size M (max.)	size L (max.)		
Length [mm]	400	500		
Width [mm]	300	600		
Height [mm]	300	450		

* depending on options taken

Example: Machine size EcoCbelt M



Our Locations Worldwide



SBS ECOCLEAN GROUP